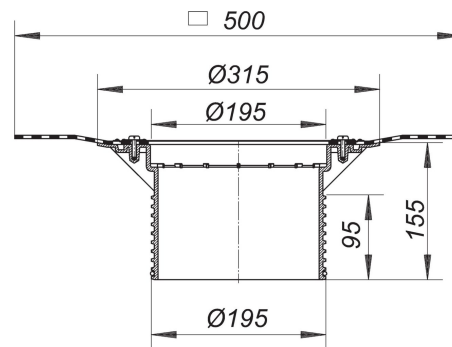
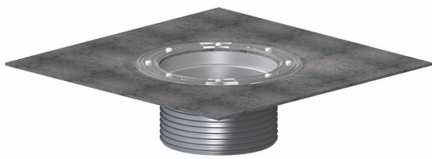


14. May 2021

DALLMER**raising piece type 618 DallBit**

Product No. **862501**
 EAN: 4001636862501
 Discount group: 3



used with yard drain types 605, 606, 615 and 616
 With 500 x 500 mm collar of 5.0 mm thick bituminous membrane, welded to the flange
 and secured with stainless steel clamp ring.

material:
 polypropylene

Product No.	Description	Dimensions
860262	yard drain type 605.0, DN 100	DN 100
860361	yard drain type 605.1, DN 100	DN 100
860064	yard drain type 606.0, DN 100	DN 100
860095	yard drain type 606.0, DN 150	DN 150
860163	yard drain type 606.1, DN 100	DN 100
860194	yard drain type 606.1, DN 150	DN 150
862365	yard drain type 615.0 DallBit, DN 100	DN 100
861368	yard drain type 615.0, DN 100	DN 100
862464	yard drain type 615.1 DallBit, DN 100	DN 100
861467	yard drain type 615.1, DN 100	DN 100
862068	yard drain type 616.0 DallBit, DN 100	DN 100
862099	yard drain type 616.0 DallBit, DN 150	DN 150
861061	yard drain type 616.0, DN 100	DN 100
861092	yard drain type 616.0, DN 150	DN 150
862297	yard drain type 616.1 DallBit, DN 150	DN 150

14. May 2021

DALLMER

861269	yard drain type 616.1, DN 100	DN 100
861290	yard drain type 616.1, DN 150	DN 150
862266	yard drain type 616.1DallBit, DN 100	DN 100