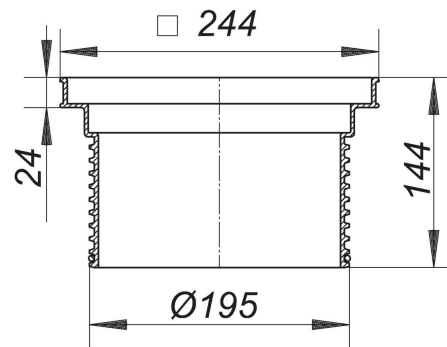


14. May 2021

**frame type 608.0**

Product No. **860507**  
 EAN: 4001636860507  
 Discount group: 3



used with yard drain types 605, 606, 615 and 616

material:  
polypropylene

frame in polypropylene, load class A (up to 1,5 t)

Product No.	Description	Dimensions
860996	ductile iron grate for 605/606/615/616	

Product No.	Description	Dimensions
864918	bucket for 605, 606, 615 and 616	
860996	ductile iron grate for 605/606/615/616	
860989	ductile iron grate with screws for 605.1/606.1/615.1/616.1	
861504	raising piece type 618	
860262	yard drain type 605.0, DN 100	DN 100
860361	yard drain type 605.1, DN 100	DN 100
860064	yard drain type 606.0, DN 100	DN 100
860095	yard drain type 606.0, DN 150	DN 150
860163	yard drain type 606.1, DN 100	DN 100
860194	yard drain type 606.1, DN 150	DN 150

14. May 2021

**DALLMER**

---

862365	yard drain type 615.0 DallBit, DN 100	DN 100
861368	yard drain type 615.0, DN 100	DN 100
862464	yard drain type 615.1 DallBit, DN 100	DN 100
861467	yard drain type 615.1, DN 100	DN 100
862068	yard drain type 616.0 DallBit, DN 100	DN 100
862099	yard drain type 616.0 DallBit, DN 150	DN 150
861061	yard drain type 616.0, DN 100	DN 100
861092	yard drain type 616.0, DN 150	DN 150
862297	yard drain type 616.1 DallBit, DN 150	DN 150
861269	yard drain type 616.1, DN 100	DN 100
861290	yard drain type 616.1, DN 150	DN 150
862266	yard drain type 616.1DallBit, DN 100	DN 100