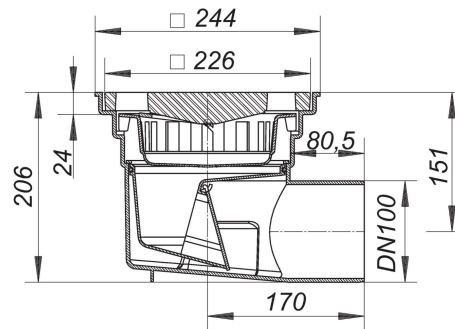


14. May 2021

DALLMER**yard drain type 605.0, DN 100**

Product No. **860262**
 EAN: 4001636860262
 Discount group: 3



outlet DN 100 horizontal

specification

- frost-proof self-closing flap-valve
- removable bucket

material

polypropylene

ductile iron grate, load class A (up to 1,5 t)

Flow rate tested to DIN EN 1253 Tab. 3,
 (with 35 mm water over cover plate), conforming to DIN EN 274

	Norm	DALLMER
DN 100	0.4 l/s	4.2 l/s

Product No.	Description	Dimensions
860996	ductile iron grate for 605/606/615/616	

Product No.	Description	Dimensions
864918	bucket for 605, 606, 615 and 616	

14. May 2021

DALLMER

860996	ductile iron grate for 605/606/615/616
860507	frame type 608.0
860606	frame type 608.1
864925	perforated collar/gravel guard
861504	raising piece type 618
862501	raising piece type 618 DallBit