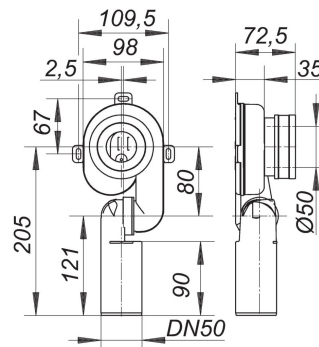


14. May 2021

DALLMER**urinal trap HL 430, DN 50**

Product No. **360021**
 EAN: 4001636360021
 Discount group: 2



conforming to DIN 19541 (DN 50)
 for suction bowl urinals conforming to DIN 1390 with concealed outlet and with flush volume from 1 l up

specification:

- DN 50 or DN 40 connection, adjustable 0 - 90 degrees
- lip seals for d: 50 mm urinal outlet

material:

polypropylene

Product No.	Description	Dimensions
368003	lip seal for HL 430, DN 50	