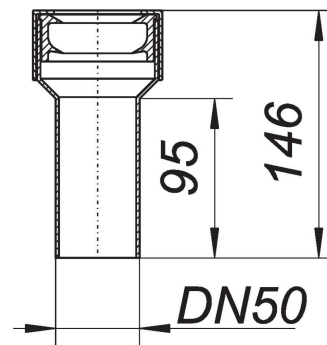


14. May 2021

socket connector type 019, 140 mm, DN 50

Product No. **080929**
EAN: 4001636080929
Discount group: 1



used with sinks, urinal bowls etc.

specification:
- recessed 2" lip-seal

material:
polypropylene