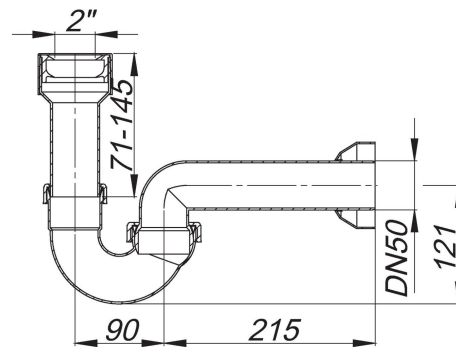


14. May 2021

urinal trap 119, DN 50

Product No. **030924**
EAN: 4001636030924
Discount group: 1



specification:

- height adjustable socket
- concealed 2" lip seal for urinal spigot
- ball joint adjustable outlet DN 50
- escutcheon

material:

white polypropylene