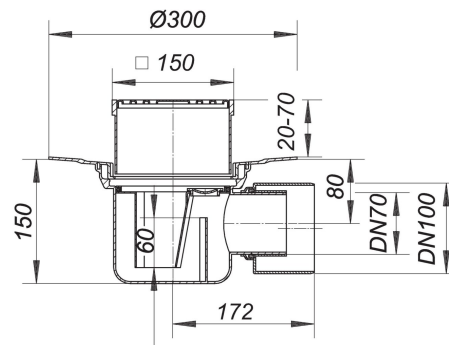


21. November 2019

DALLMER**floor drain type 57 KE, DN 50/DN 70, 150 x 150 mm**

Product No. **571274**
 EAN: 4001636571274
 Discount group: 3



conforming to DIN EN 1253
 outlet DN 70/DN 100 horizontal

specification:

- height adjustable grating KE 15
- trap with 50 mm water seal
- rodding eye*
- temporary blanking plate

material:

polypropylen
 frame polypropylene, 150 x 150 mm, grate 304 stainless steel grate, class K 3 (300 kg)

* Access to trap and outlet via rodding eye.

Flow rate tested to DIN EN 1253
 (with 20 mm water over grate)

	Norm	DALLMER
DN 70	0.8 l/s	1.47 l/s
DN 100	1.4 l/s	1.67 l/s

Product No.	Description	Dimensions
501110	grate E 140, 140 x 140 mm	140 x 140 mm
590053	trap insert for 57, 57 AK , 58	

21. November 2019

DALLMER

Product No.	Description	Dimensions
590091	centralising ring for drain bodies type 54, 55, 57, 58, 61	