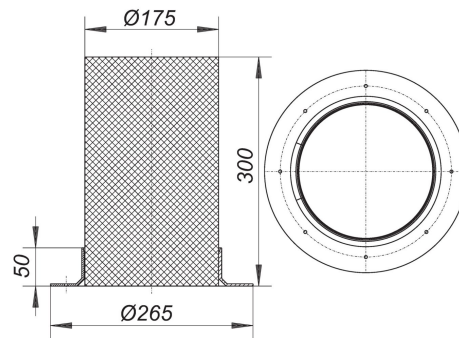


21. November 2019

**DALLMER****sleeve former No 2 DD 160, d: 175 mm**

Product No. **495501**  
 EAN: 4001636495501  
 Discount group: 3



coated styrofoam, used when installing fire and sound-insulating collar - installation kit  
 2

specification:  
 holder in polypropylene

Product No.	Description	Dimensions
515025	fire and sound-insulating collar - installation kit 2, DN 50	DN 50