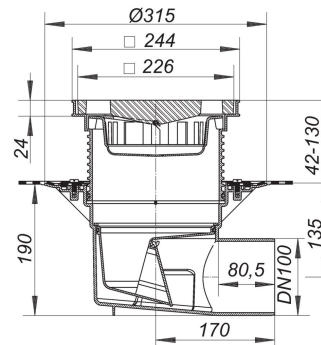


04. January 2023

DALLMER**yard drain type 615.0 DallBit, DN 100**

Product No. **862365**
 EAN: 4001636862365
 Discount group: 3



With 500 x 500 mm collar of 5.0 mm thick bituminous membrane, welded to the flange and secured with stainless steel clamp ring.
 side outlet DN 100, ductile iron grate, load class A (up to 1,5 t)

specification

- flange
- frost-proof self-closing flap-valve
- removable bucket
- height adjustable and rotatable grating

material

polypropylene

ductile iron grate, load class A (up to 1,5 t)

Flow rate tested to DIN EN 1253 Tab. 3,
 (with 35 mm water over cover plate), conforming to DIN EN 274

	Norm	DALLMER
DN 100	0.4 l/s	4.2 l/s

Product No.	Description	Dimensions
860996	ductile iron grate for 605/606/615/616	

04. January 2023

DALLMER

Product No.	Description	Dimensions
864918	bucket for 605, 606, 615 and 616	
860996	ductile iron grate for 605/606/615/616	
910684	frame extension type 620	
860507	frame type 608.0	
860606	frame type 608.1	
864925	perforated collar/gravel guard	
861504	raising piece type 618	
862501	raising piece type 618 DallBit	