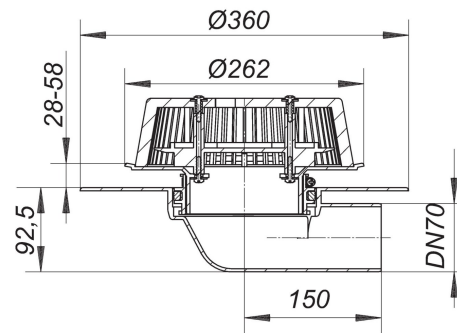


25. June 2022

## power overflow drain 86 D PVC, DN 70

Product No. **671370**  
EAN: 4001636671370  
Discount group: 10



conforming to DIN EN 1253  
flat overflow drain for use in roofs with minimum 120 mm insulation, moulded in PVC,  
PVC membranes can be welded to the flange

specification:  
- overflow upstand height adjustable 28 - 58 mm  
- domed grate, secured

material:  
PVC